

# QSA GLOBAL.



## SENTINEL 880 SERIES GAMMA-RAY SOURCE PROJECTORS.

With over 12,000 projectors in service worldwide, the SENTINEL™ 880 Series has nearly two decades of proven safety, reliability, and durability.



For more information visit us at [qsa-global.com](http://qsa-global.com)

# CONSISTENTLY RELIABLE.

## EXPERIENCE EXTREME DURABILITY, SIMPLE OPERATION, AND LOW OPERATOR DOSE

With over 12,000 in service worldwide from Alaska's North Slope to harsh Middle East desert environments, the SENTINEL 880 Series has nearly two decades of proven reliability and durability giving you the most uptime from your equipment and maximum production for your clients.

The versatility in using Ir-192, Se-75, and Yb-169 radioisotope sources maximizes the non-destructive testing applications where you can utilize your SENTINEL 880 Series projector while advanced safety features minimize operator dose.

Designed, tested, and manufactured to the requirements of ANSI N432-1980, ISO 3999:2004(E), IAEA TS-R-1 (2009), IAEA SSR-6 (2012), USNRC 10CFR34, USNRC 10CFR71, and USDOT 49CFR173.



*“We have been in the radiography industry for more than 10 years. Throughout all these years we have used multiple products from different companies. However, SENTINEL 880 series is the best ever. Well manufactured tools and devices with high quality and good reliability.”*

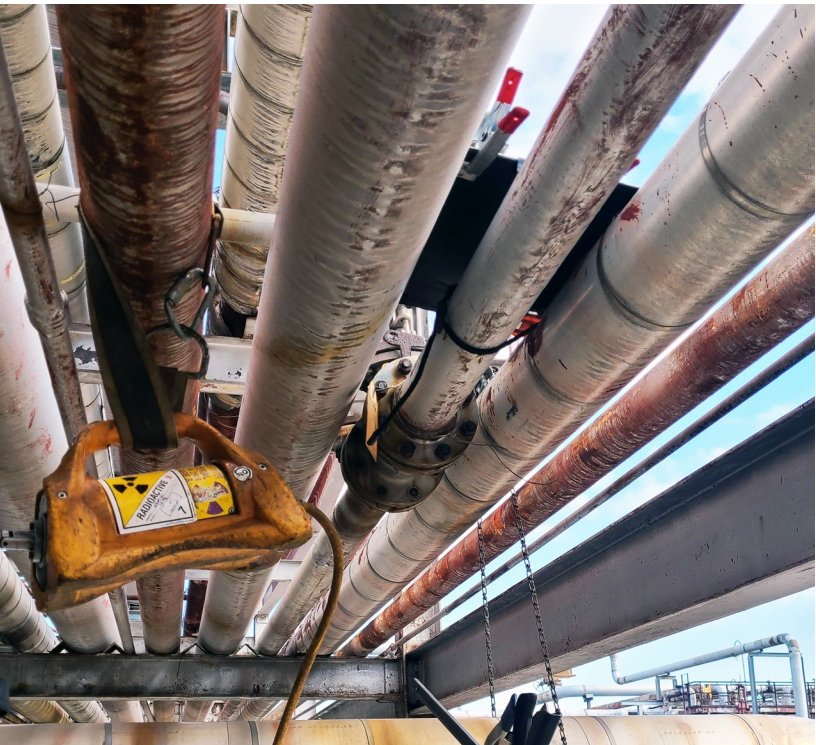
*~ Gulf Quality Control Co. Ltd.*



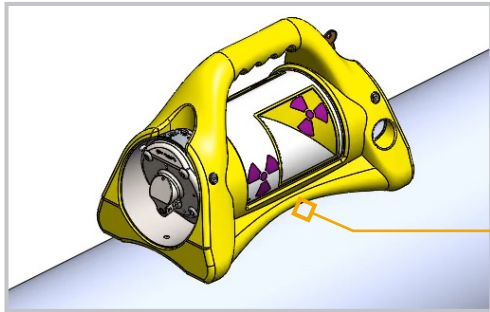
# EXTREME DURABILITY.

In harsh and sometimes remote industrial environments, gamma radiography is valued for its simplicity and reliability. The SENTINEL 880 Series gamma-ray source projectors consistently deliver in any condition.





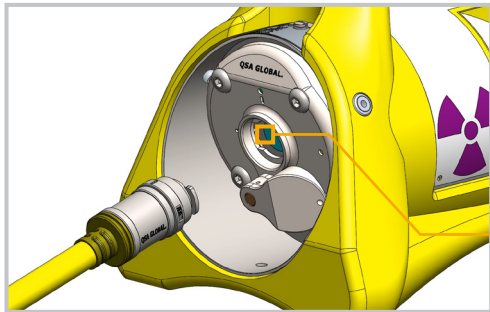
# DESIGNED FOR SAFETY AND PRODUCTIVITY.



## EASY TO OPERATE

Easily and reliably connect your SENTINEL Guide Tube and Remote Controls.

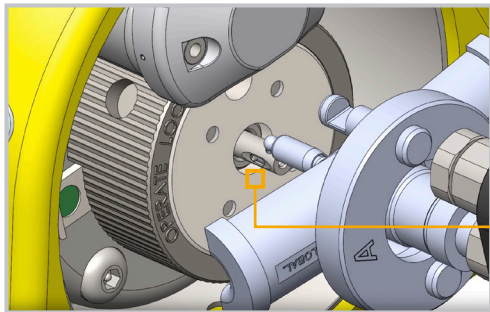
■ Radius jacket allows for secure placement



## MINIMIZE OPERATOR DOSE

A patented guide tube interlock ensures the tungsten shutter shields the operator while connecting the source guide tube.

■ Tungsten shutter shields source path



## SECURE SOURCE

The robust lock slide and remote controls interface ensure the source is secured.

■ Engineered safety features prevent misconnects



## ACCESSORIES.

Accessories such as controls, guide tubes, and collimators are interchangeable with all SENTINEL gamma-ray source projectors for easy integration into your fleet of gamma radiography equipment.



## GUIDE TUBES

Available with extreme condition version for cold weather, fixed and removable bayonet, and fixed and swivel end stops.



### REMOTE CONTROLS

Available in pistol and reel styles in various lengths to drive the source to and from the exposure location.



### COLLIMATORS

Available in side throw and panoramic styles to restrict the size of the radiation beam when the radioisotope source is cranked into position to make a radiographic exposure.



### SHIELDING

Providing multiple options to help you meet your shielding criteria.

# SPECIFICATIONS.

## SENTINEL 880 SERIES DELTA SOURCE PROJECTOR\*

*The most preferred gamma-ray source projector on the market.*



Ir-192	150 Ci (5.55 TBq)
Se-75	150 Ci (5.55 TBq)
Yb-169	108 Ci (4.00 TBq)
Weight	52 lb (23.6 kg)
Transport	Type B(U) package

## SENTINEL 880 SERIES ELITE SOURCE PROJECTOR\*

*Ideal for use with low-energy isotopes and lower Ir-192 activity.*



Ir-192	50 Ci (1.85 TBq)
Se-75	150 Ci (5.55 TBq)
Yb-169	108 Ci (4.00 TBq)
Weight	42 lb (19.0 kg)
Transport	Type B(U) package

## SENTINEL 880 SERIES OMEGA SOURCE PROJECTOR\*

*Best suited for offshore applications and countries with strict regulations.*



Ir-192	15 Ci (0.55 TBq)
Se-75	80 Ci (3.00 TBq)
Yb-169	108 Ci (4.00 TBq)
Weight	33 lb (15.0 kg)
Transport	Type A package

## REGULATION COMPLIANCE

To meet or exceed regulatory and performance standards for safety and reliability, the SENTINEL 880 Series gamma-ray source projector is designed, tested, and manufactured to the requirements of ANSI N432-1980, ISO 3999:2004(E), IAEA TS-R-1 (2009), IAEA SSR-6 (2012), USNRC 10CFR34, USNRC 10CFR71, and USDOT 49CFR173.

Additionally, the SENTINEL 880 Series is designed, manufactured, and serviced under an ISO 9001:2015 and USNRC 10CFR71 subpart H QA program. The QA program also includes the reporting requirements of USNRC 10CFR21 for suppliers of source and byproduct materials.

## TRAINING & MAINTENANCE

QSA Global, Inc. is dedicated to helping you maximizing productivity by minimizing maintenance down time. We supply parts for all mechanical components in your SENTINEL 880 Series projector.

QSA Global, Inc. provides complimentary functional training to help you setup your device with the proper accessories, learn what each parts of the device are for, and provide technical instruction on how to use the device.

Formal training courses are available at QSA Global, Inc. facilities, locally by authorized distributors, or on-site by arrangement.

For more information  
visit us at  
[qsa-global.com](http://qsa-global.com)

\*Manufactured by QSA Global, Inc. located in Burlington, MA, USA.